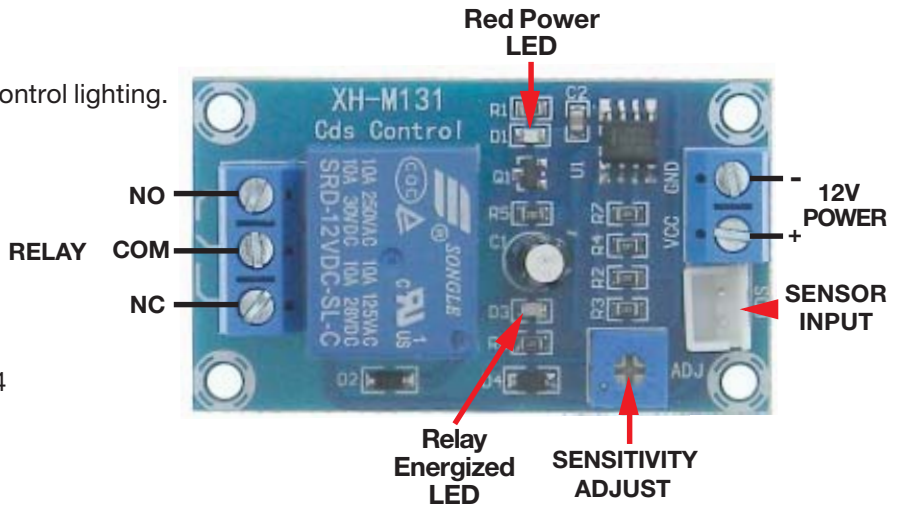


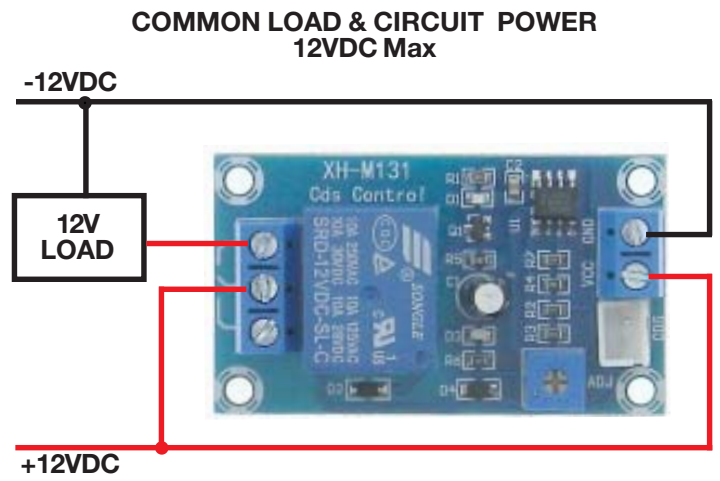
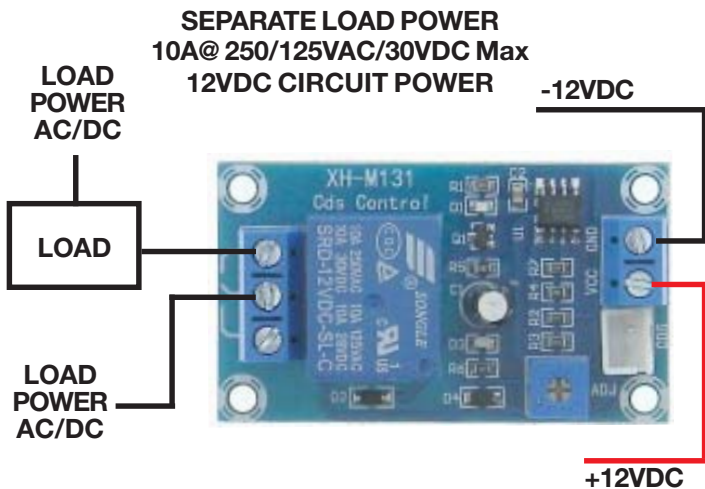
# 34696-MI

## Light Sensitive Relay Control Module

The module can be used as light detector to control lighting.  
 Adjustable sensitivity.  
 SPDT Isolated contacts.  
 Power: 12VDC @ ~40mA energized  
 Relay: SPDT  
 Contacts: 10A@ 250/125VAC/30VDC  
 Red LED Power Indicator  
 GreenLED Relay active indicator  
 Detector: CdS Photoresistor with 11in lead  
**L: 2-1/8" W: 1-3/16" H: 7/8" WT: .04**



**NOTE: Missing or Open Sensor Relay will Be Energized**



Information including Drawings, Schematics, Links and Code (Software) Supplied or Referenced in this Document is supplied by MPJA inc. as a service to our customers and accuracy or usefulness is not guaranteed nor is it an Endorsement of any particular part, supplier or manufacturer. Use of information and suitability for any application is at users own discretion and user assumes all risk.

Information Subject to Change Without Notice  
 All rights are retained by the respective Owners/Author(s)



**MARLIN P. JONES & ASSOC., INC.**

P.O. Box 530400 Lake Park, FL 33403  
 800-652-6733 FAX 561-844-8764  
 WWW.MPJA.COM